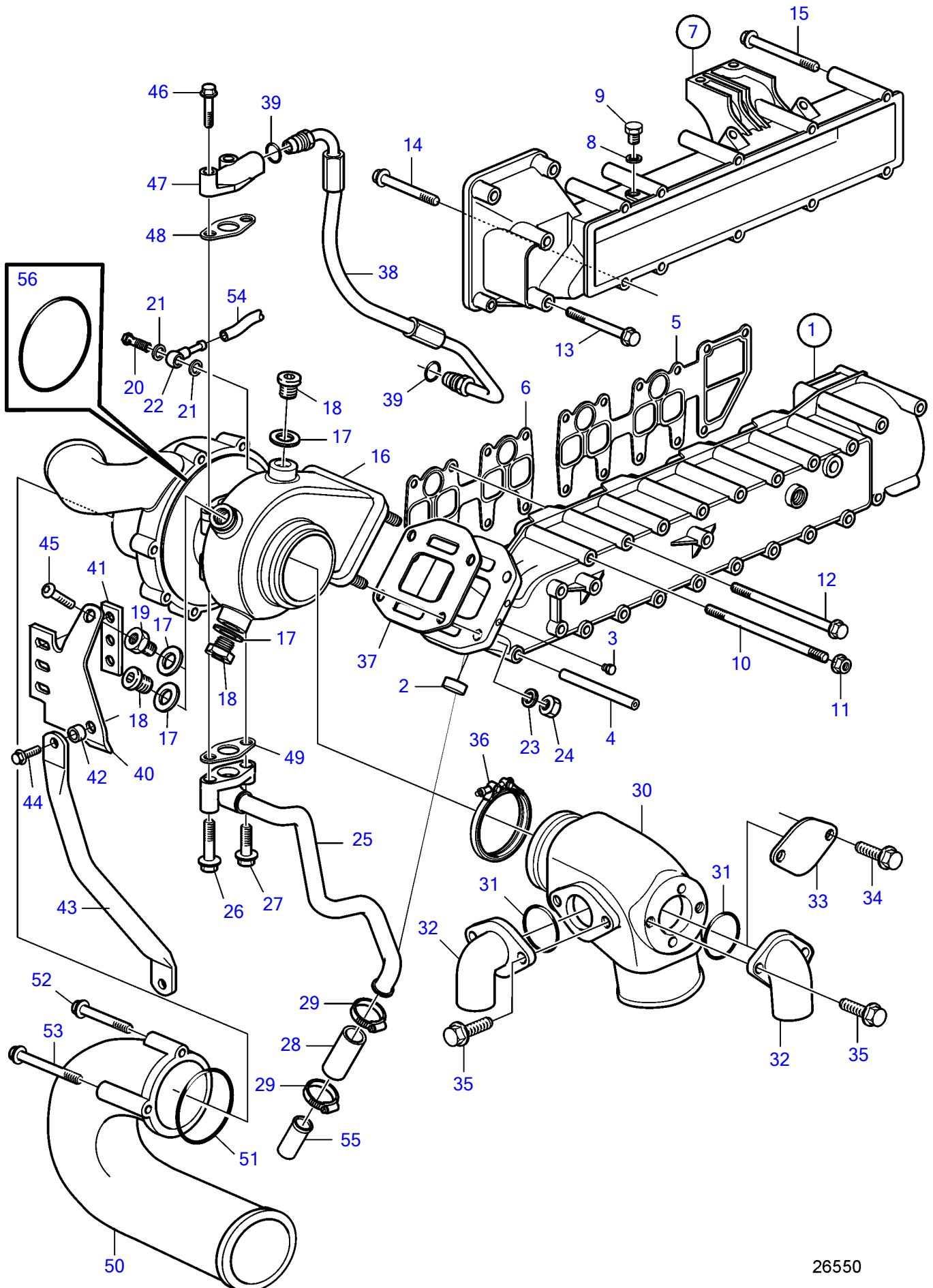


D4-180I-B, D4-180I-C, D4-180I-D, D4-180I-E, D4-210A-A, D4-210I-A, D4-210I-B, D4-225I-B, D4-225A-C, D4-225A-D, D4-225I-C, D4-225I-D, D4-225A-E, D4-225I-E



26550

D4-180I-B, D4-180I-C, D4-180I-D, D4-180I-E, D4-210A-A, D4-210I-A, D4-210I-B, D4-225I-B, D4-225A-C, D4-225A-D, D4-225I-C, D4-225I-D, D4-225A-E, D4-225I-E

REF	PART NO.	QTY	DESCRIPTION	NOTES
1	889109	1	Exhaust manifold	Replaced by 3841197
	3841197	1	Exhaust manifold	
2	8131707	1	• Cap plug	Earlier prod., For 889109
3	479979	1	• Plug	
4	3583116	1	• Spring pin	
5	3583336	1	Gasket	
6	3582725	1	Gasket	
7	3808941	1	Inlet pipe	
8	11994	1	• Gasket	
9	966142	1	• Plug	
10	948194	4	Stud	
11	945408	4	Flange nut	
12	968999	16	Flange screw	L=130mm
13	947760	2	Flange screw	
14	965184	9	Flange screw	L=100mm
15	965182	1	Flange screw	L=80mm
16	3802150	1	Turbocharger	
			• parts not sold separately	
17	947627	2	Gasket	
18	861551	1	Plug	
19	861646	2	Plug	
20	969299	1	Hollow screw	
21	11994	2	Gasket	
22	858750	1	Banjo nipple	
23	955895	4	Washer	
24	940183	4	Hexagon nut	
25	3582967	1	Oil return pipe	
26	948217	1	Flange screw	
27	945444	1	Flange screw	
28	466328	1	Hose	
29	994559	2	Hose clamp	
30	3884701	1	Exhaust riser	(3583856)
31	969415	2	O-ring	
32	21450768	2	Connector	
33	3584006	1	Cover	
34	946934	2	Flange screw	
35	948356	4	Flange screw	
36	842993	1	V-band clamp	
37	3583335	1	Gasket	
38	3582968	1	Oil pressure pipe	Replaced by 40005392
	40005392	1	Oil pressure pipe	
39	976971	2	• O-ring	
40	3586073	1	Bracket	
41	(3586070)	1	• Nut retainer	Obsolete part
42	860699	1	Spacer sleeve	
43	3586071	1	Support	
44	946472	2	Flange screw	
45	946471	2	Flange screw	
46	947760	2	Flange screw	
47	8192268	1	Flange	
48	420641	1	Gasket	
49	860105	1	Gasket	
50	3812945	1	Connector	(888445)
51	949841	1	O-ring	
52	965180	1	Flange screw	
53	968842	2	Flange screw	
54	942700	X	Hose	L=600mm
55	3583622	1	Hose connection	
56	3887153	1	O-ring	